



# OPTIC COMPONENTS

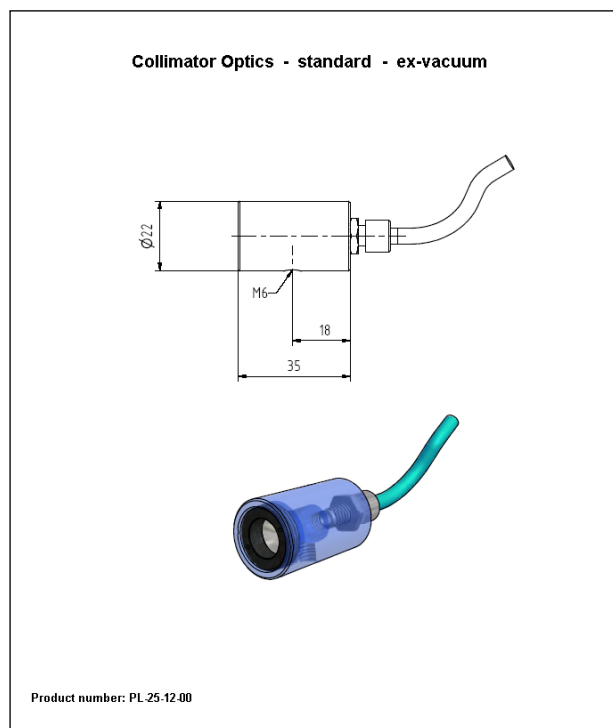
## Data Sheet

1. Standard optics – ex-vacuum
2. Slim optics – in-vacuum
3. Miniature optics – in-vacuum
4. Coating protection devices – in-vacuum
5. Optical vacuum feedthroughs
6. Optical fibers – in- and ex-vacuum

2024

## I. Standard optics – ex-vacuum

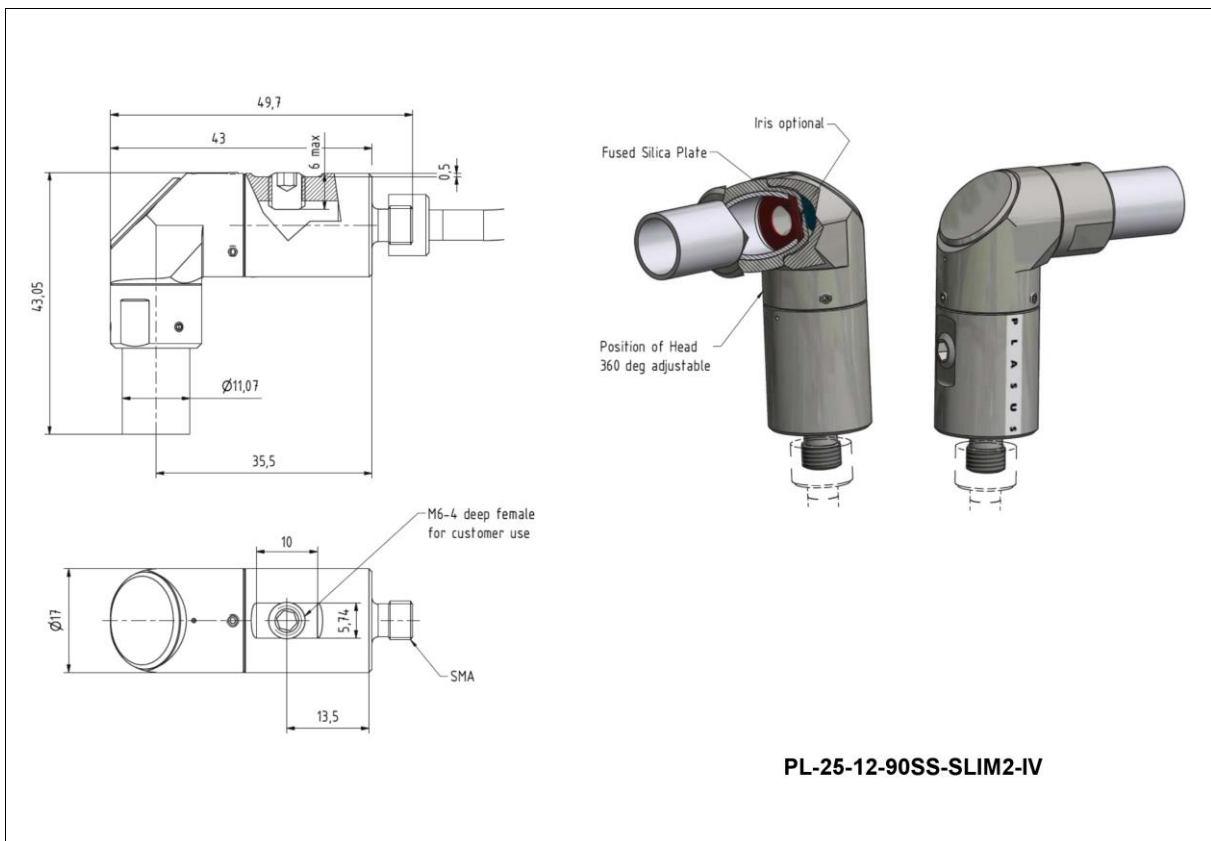
	0° angle
Product number	PL-25-12-00
Dimensions [mm]	22.0 dia. x 35.0
Aperture [mm]	dia. 9.5
Maximum temperature [°C]	90
Coating protection	No
Connector	SMA
Weight [g]	25
Material	POM
Spectral range [nm]	200 - 1100
Acceptance angle	approx. 3°



## 2. Slim optics – in-vacuum

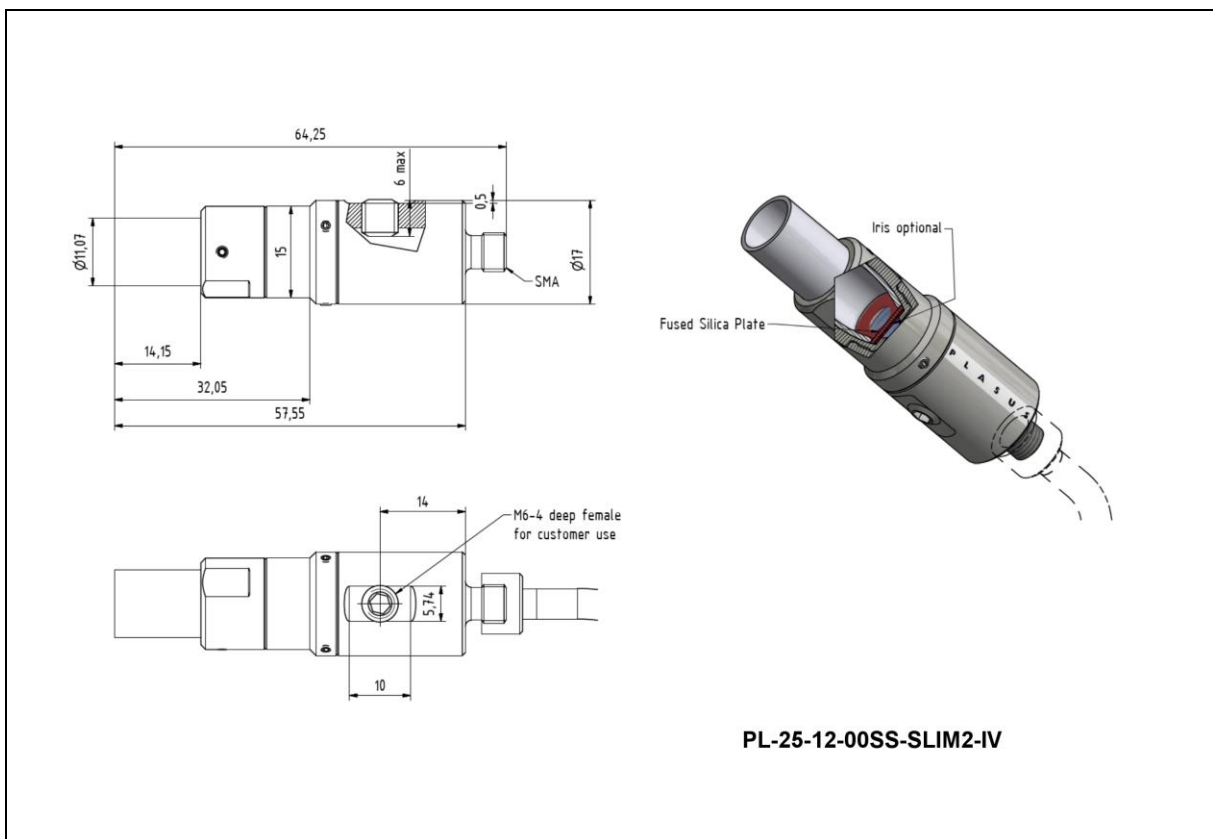
### Collimator optics – 90° angle

	90° angle
Product number	PL-25-12-90SS-SLIM2-IV
Dimensions [mm]	17.0 x 43.05 x 9.7
Aperture [mm]	dia. 9.5
Coating protection	Yes
Maximum temperature [°C]	600
Connector	SMA
Weight [g]	200
Material	Stainless steel
Spectral range [nm]	200 - 1100
Acceptance angle	approx. 1-2°



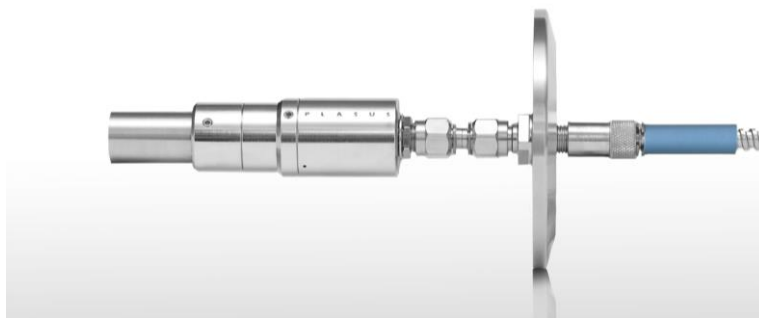
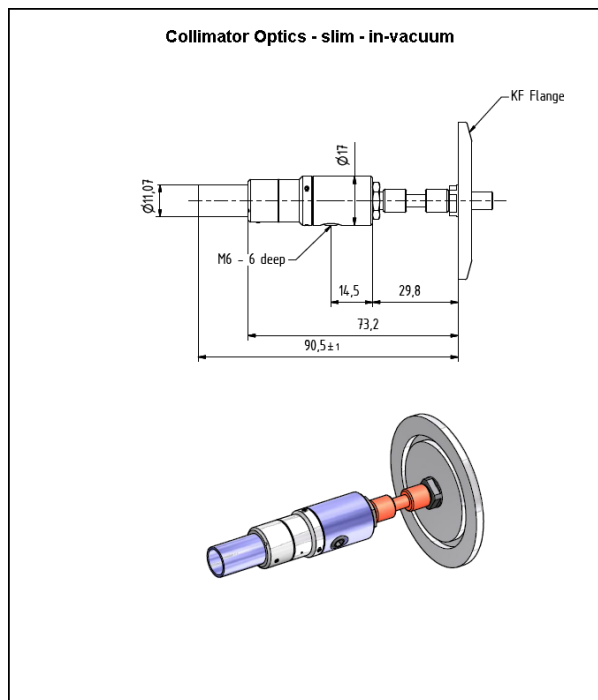
Collimator optics – 0° angle

	0° angle
Product number	PL-25-12-00SS-SLIM2-IV
Dimensions [mm]	17.0 dia. x 57.55
Aperture [mm]	dia. 9.5
Coating protection	Yes
Maximum temperature [°C]	600
Connector	SMA
Weight [g]	100
Material	Stainless steel
Spectral range [nm]	200 - 1100
Acceptance angle	approx. 1-2°



**Collimator optics – fixed assembly at feedthrough**

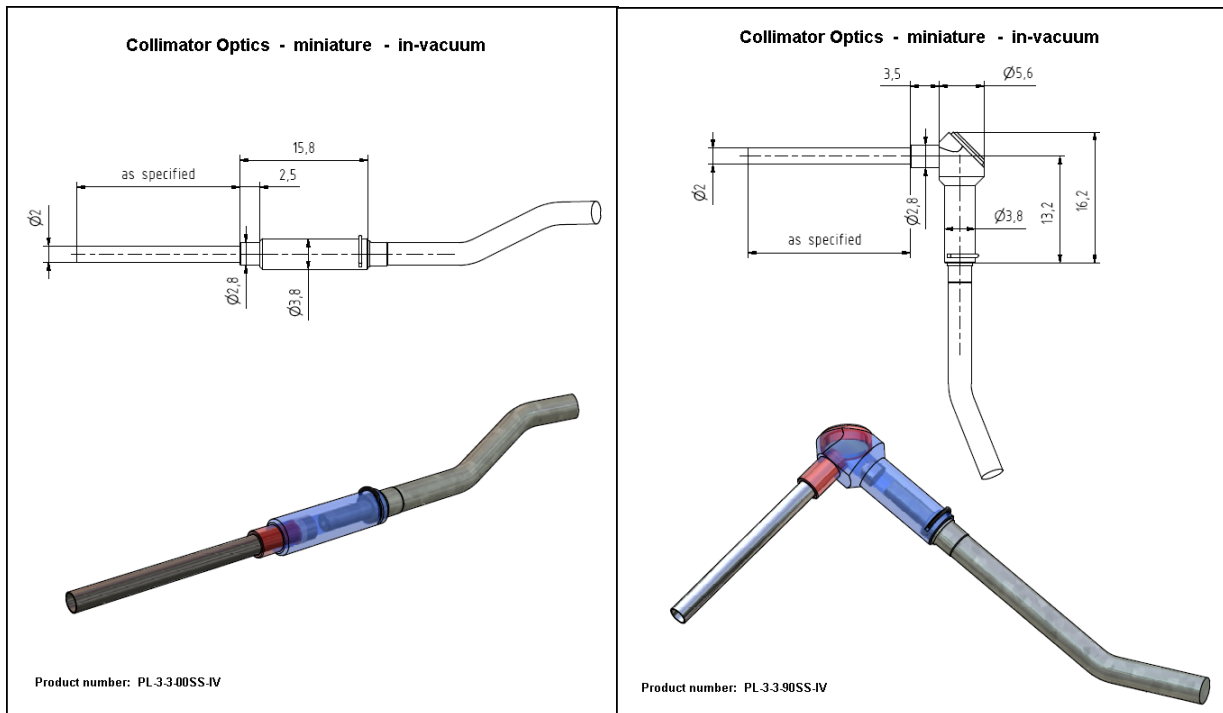
	<b>Assembly</b>
Product numbers	PL-25-12-00SS-SLIM2-IV PL-600-MM32-UV-VIS-IV PL-OFT-KFxx-I
Dimensions [mm]	see drawing
Aperture [mm]	dia. 9.5
Maximum temperature [°C]	180
Coating protection	Yes
Connector	SMA
Weight [g]	200
Material	Stainless steel
Spectral range [nm]	200 - 1100
Acceptance angle	approx. 1-2°



### 3. Miniature optics – in-vacuum

#### Collimator optics

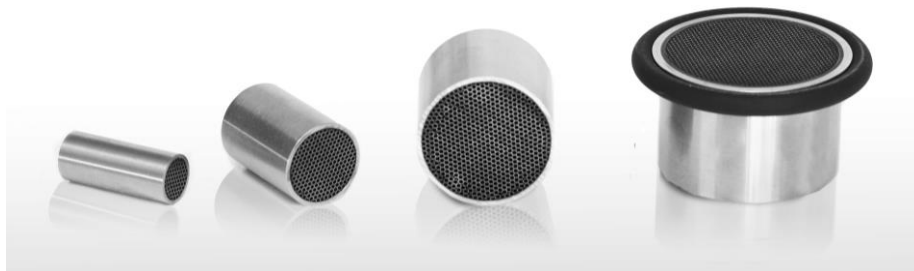
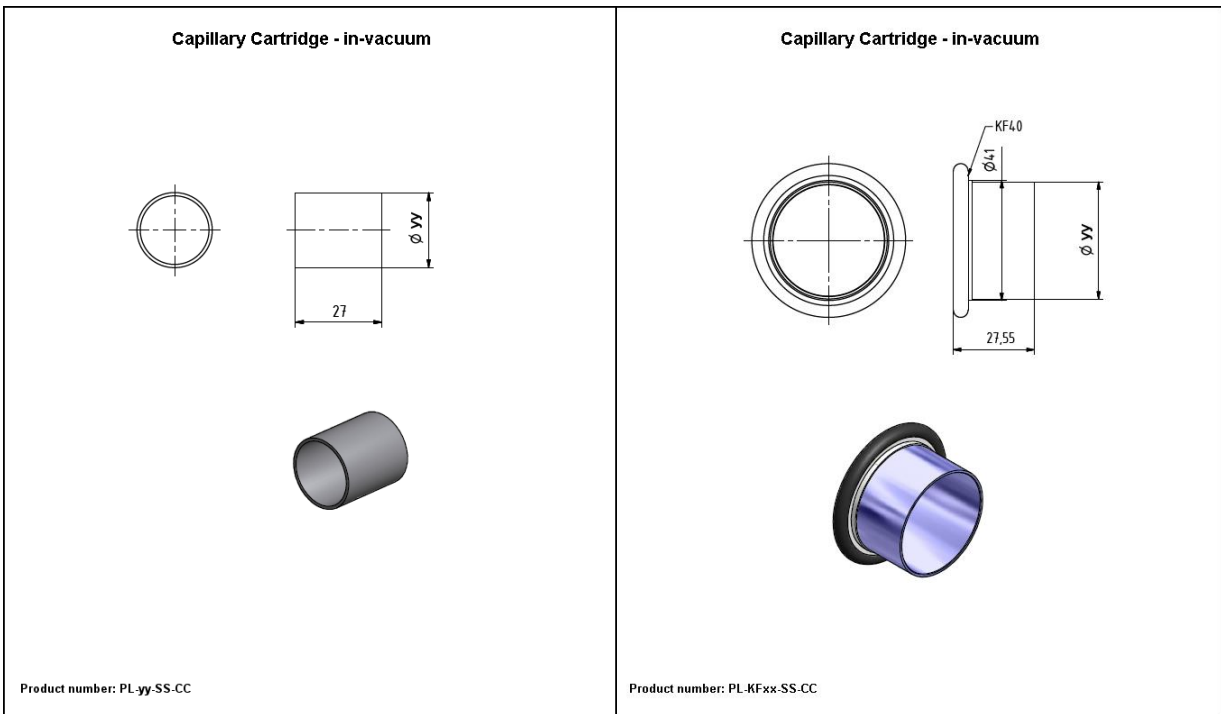
	0° angle	90° angle
Product number	PL-3-3-00SS-IV	PL-3-3-90SS-IV
Dimensions [mm]	3.8 dia. x 25.0	5.6 x 20.0 x 16.2 mm
Aperture [mm]	dia. 1.8	dia. 1.8
Coating protection	Yes	Yes
Maximum temperature [°C]	180	180
Connector	Miniature	Miniature
Weight [g]	4	6
Material	Stainless steel	
Spectral range [nm]	200 - 1200	
Acceptance angle	approx. 3-5°	



#### 4. Coating protection devices – in-vacuum

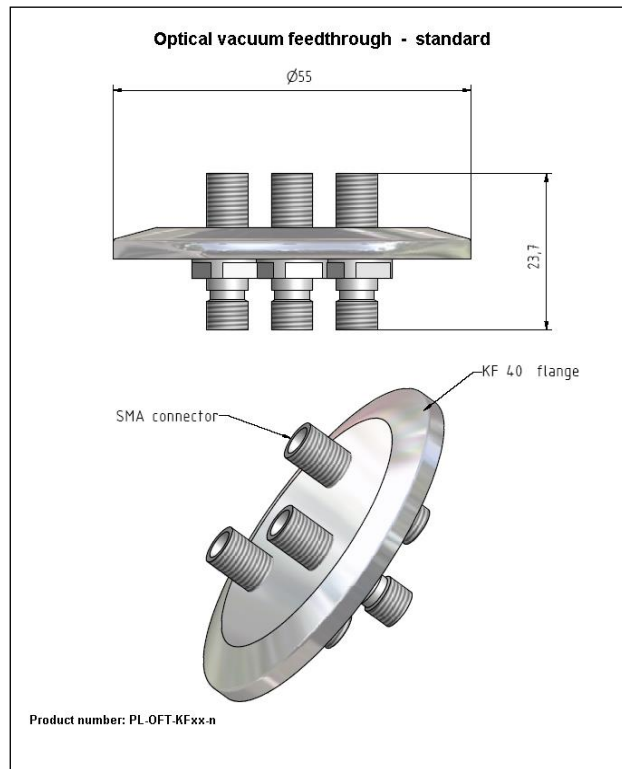
##### Capillary cartridges / honey combs

	without centering ring	with centering ring
Product number	PL-yy-SS-CC	PL-KFxx-SS-CC (xx = 16, 25, 40)
Dimensions [mm]	yy dia. x 27 mm, yy = 11.07, 19, 23.5, 30, 40 mm	yy dia. x 27.55 mm yy = 11.07, 23.5, 40
Maximum temperature [°C]	600	200
Material	Stainless steel	



## 5. Optical vacuum feedthroughs

	ISO KF flange	ISO CF flange
Product number	PL-OFT-KFxx-n	PL-OFT-CFxx-n
Number of feedthroughs	n = 1 - 4	
Connectors	SMA / SMA	
Maximum temperature [°C]	180	
Material	Stainless steel	
Flange size/fitting	KFxx/CFxx = 16, 20, 25, 32, 40, 50	





## 6. Optical fibers – in- and ex-vacuum

	Standard fibers		Miniature fibers
	ex-vacuum	in-vacuum	in-vacuum
Product number	PL-yyy-x-UV-VIS-NC	PL-yyy-x-UV-VIS-IV	PL-600-x-UV-VIS-IVM-I
Outer diameter [mm]	5		3.2
Electrically insulated	Yes	No	No
Connectors	SMA / SMA		SMA / Miniature
Maximum temperature [°C]	180		
Material	Stainless steel		
Fiber diameter [µm]	yyy = 600 µm / 1000 µm		600 µm
Fiber bundle / Single fiber	blue sleeve / yellow sleeve (in-vacuum fiber: no sleeve)		
Spectral range [nm]	200 - 1100		
Fiber length [m]	x = length in meter as specified		

