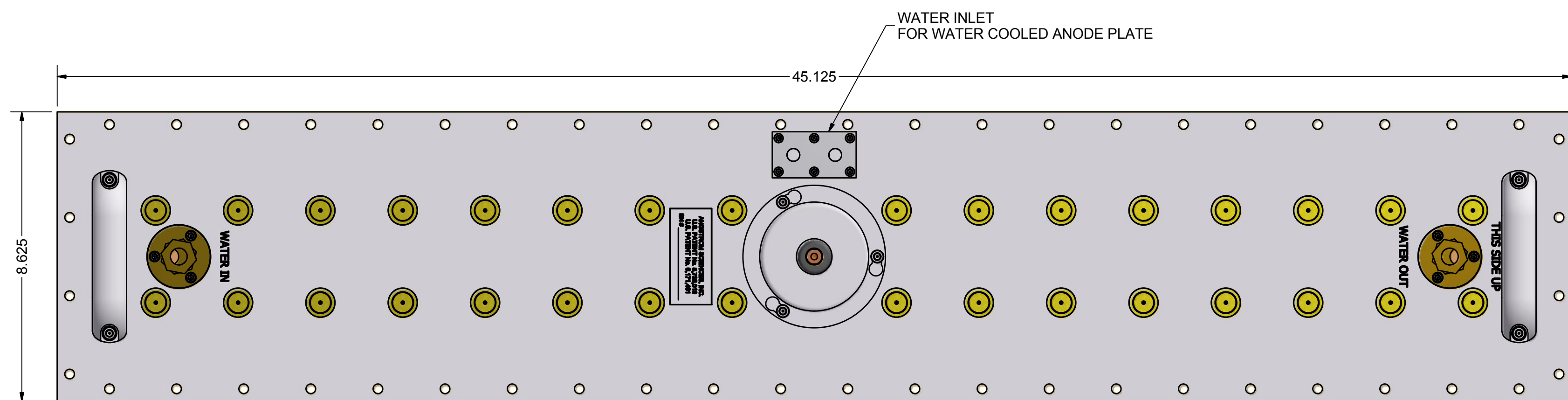


ISOMETRIC



NO.	DATE	REVISION	BY

TOLERANCES
(UNLESS OTHERWISE SPECIFIED)

LINEAR (IN.)	NO DECIMAL = ±0.5
FRACTIONAL = ± 1/64	1 PLACE DECIMAL = ±0.1
2 PLACE DECIMAL = ±0.01	2 PLACE DECIMAL = ±0.01
3 PLACE DECIMAL = ±0.005	
4 PLACE DECIMAL = ±0.0005	

ANGULAR
DEGREES = ±1°
DECS, MINS = ±00° 30'
DEGS, MINS, SECS = ±00° 00' 30"

CONFIDENTIAL

NOTICE: THE INFORMATION CONTAINED HEREIN IS PROPERTY OF ANGSTROM SCIENCES, INC. DUQUESNE, PA AND CONTAINS PROPRIETARY INFORMATION WHICH HAS BEEN SUBMITTED TO YOU IN CONFIDENCE FOR A SPECIFIC PURPOSE. COPYING, USING, OR DISCLOSING THIS DRAWING OR THE INFORMATION ON IT WITHOUT ANGSTROM SCIENCES' PRIOR WRITTEN CONSENT BY AN APPROVED REPRESENTATIVE IS PROHIBITED AND MAY BE GROUNDS FOR LEGAL ACTION. PATENTABLE DESIGN FEATURES ARE PROTECTED BY UNITED STATES PATENT LAWS.

SCALE:	NTS
DRAWN BY:	jmaline
DATE:	3/6/2017
CHKD BY:	
DATE:	
APVL BY:	
DATE:	
SHEET 1 OF 1	
PART NO.:	

ANGSTROM SCIENCES, INC.	
TITLE: ONYX-3540ED W/ WATER COOLED ANODE PLATE MAGNETRON ASSEMBLY	
DRAWING NUMBER:	ONyx-3.5 X 40
REV.	D