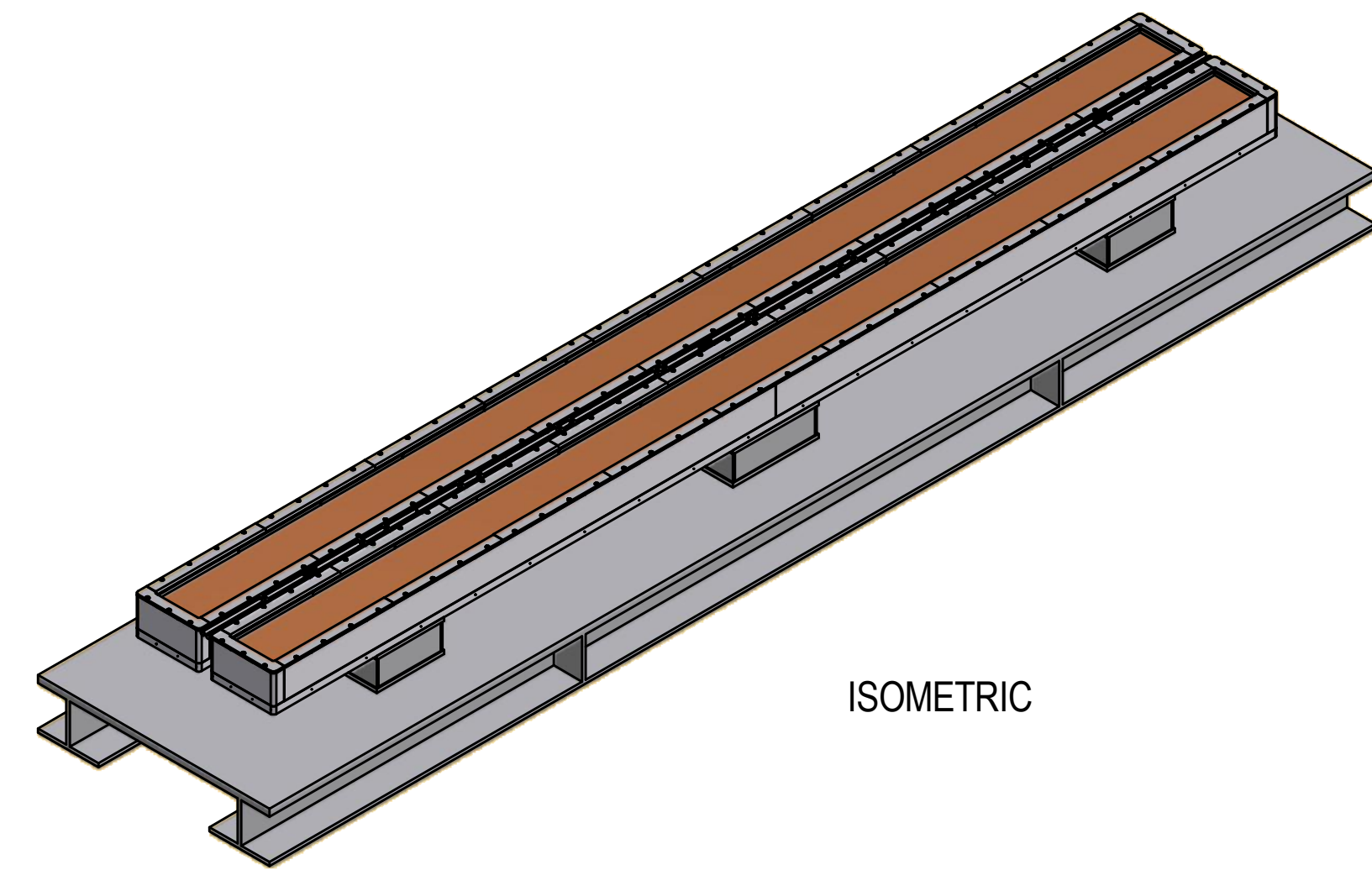
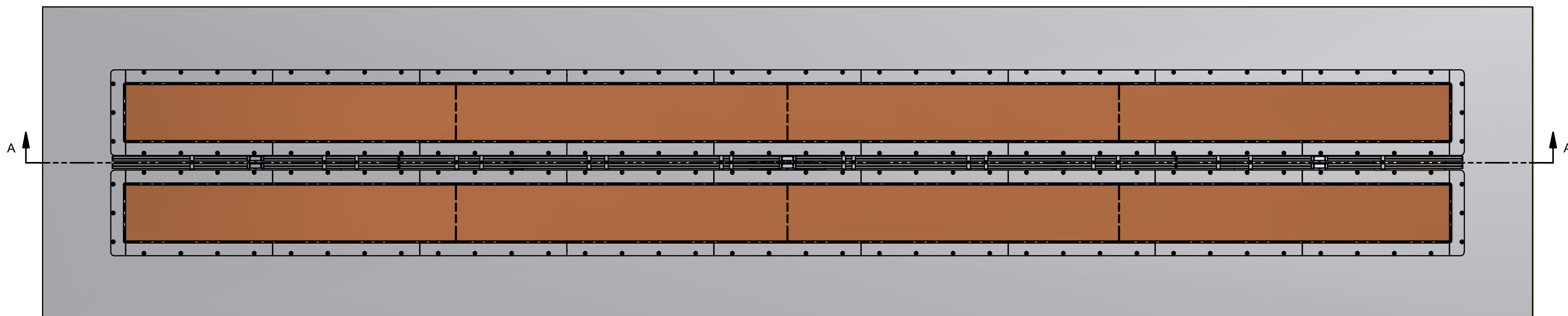
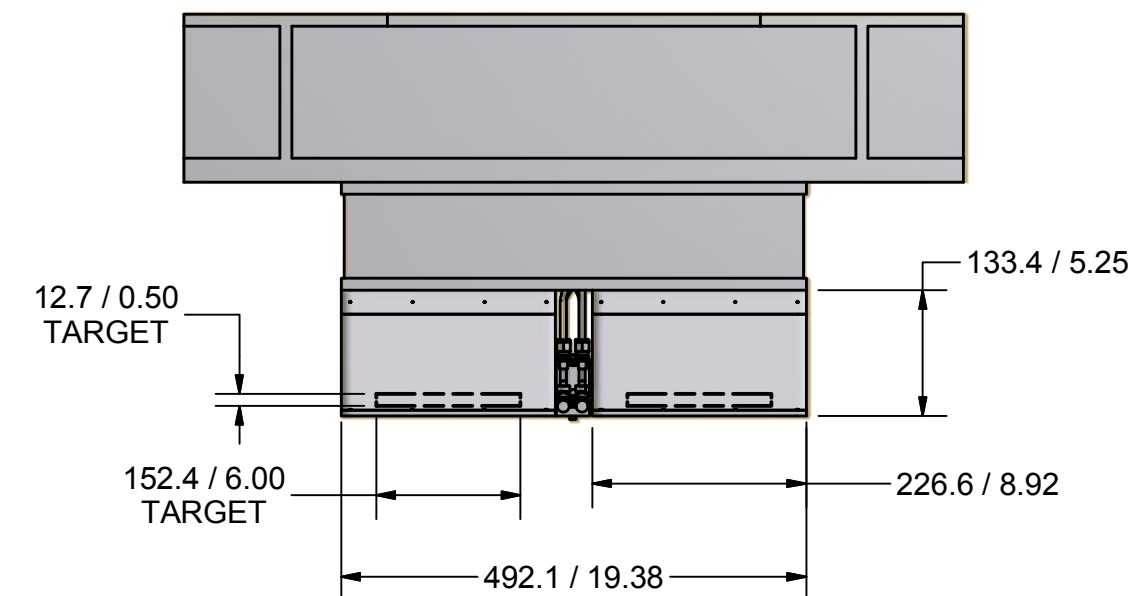
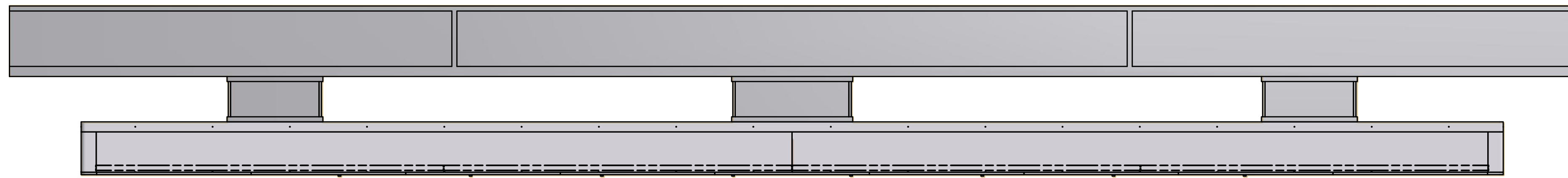
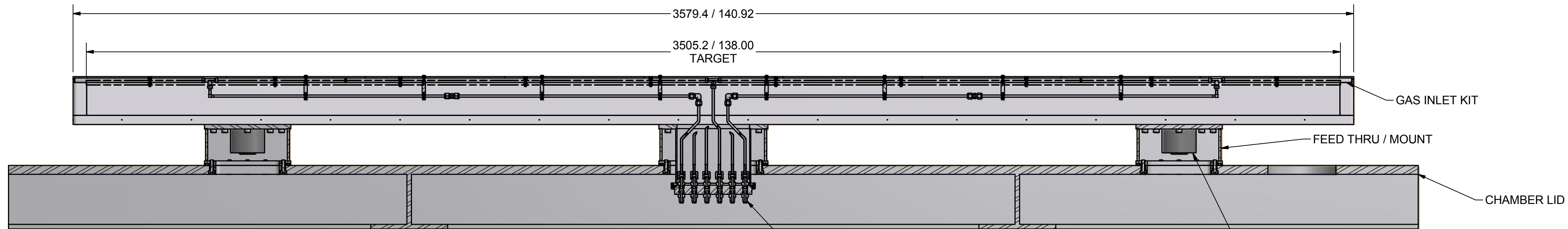


POWER SCREW TERM



ISOMETRIC



SECTION A-A
SCALE 1/8
GAS INLET FITTINGS

NO.	DATE	REVISION	BY

TOLERANCES
(UNLESS OTHERWISE SPECIFIED)

LINEAR (IN.)	LINEAR (MM)
FRACTIONAL = ± 1/64	NO DECIMAL = ± 0.5
2 PLACE DECIMAL = ± 0.01	1 PLACE DECIMAL = ± 0.1
3 PLACE DECIMAL = ± 0.005	2 PLACE DECIMAL = ± 0.01
4 PLACE DECIMAL = ± 0.0005	

ANGULAR
DEGREES = ± 1°
DECS, MINS = ± 00' 30"
DECS, MINS, SECS = ± 00' 00' 30"

CONFIDENTIAL

NOTICE: THE INFORMATION CONTAINED HEREIN IS PROPERTY OF ANGSTROM SCIENCES, INC. DUQUESNE, PA AND CONTAINS PROPRIETARY INFORMATION WHICH HAS BEEN SUBMITTED TO YOU IN CONFIDENCE FOR A SPECIFIC PURPOSE. COPYING, USING OR DISCLOSING THIS DRAWING OR THE INFORMATION ON IT WITHOUT ANGSTROM SCIENCES PRIOR WRITTEN CONSENT BY AN APPROVED REPRESENTATIVE IS PROHIBITED AND MAY BE GROUNDS FOR LEGAL ACTION. PATENTABLE DESIGN FEATURES ARE PROTECTED BY UNITED STATES PATENT LAWS.

SCALE: NTS	DATE: 3/8/2017
DRAWN BY: jmaline	DATE:
CHKD BY:	DATE:
APVL BY:	DATE:
SHEET 1 OF 1	
PART NO.:	

ANGSTROM SCIENCES, INC.	
TITLE: ONYX-6138DC DUAL W/ GAS INLET CHAMBER ASSEMBLY	
DRAWING NUMBER: ONYX-6 X 138 DUAL	REV. SIZE: D